



# Dataflow Diagrams

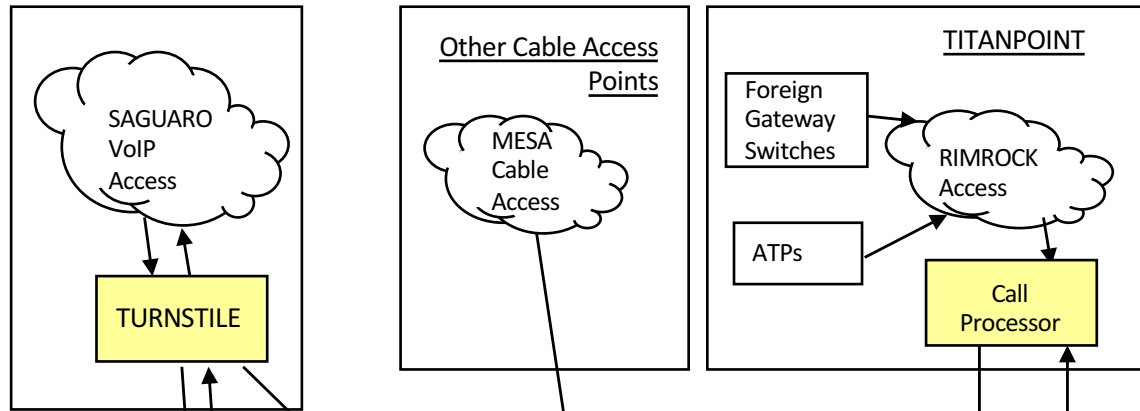
April 2012

**Note:** Please refer to previous diagrams for decommissioned systems.

Derived From: NSACSSM 1-52  
Dated: 20070108  
Declassify On: 20361101

FAA Voice/Fax/Modem DNR&VoIP

Access-Partner Processing



SIGAD: US-984X2

PDDG: 29

CASE Root: SSO CASNs, XM\*

To BL Routing Designator: FLV, FLU, FLF, FLD

To Customer Routing Designator: BAV(Voice),LST (Fax), VFG (Modem), BAE (Failed Modem or Fax to Josy)

Data Classification: TS//SI//NF// RGT-A or RGT-C

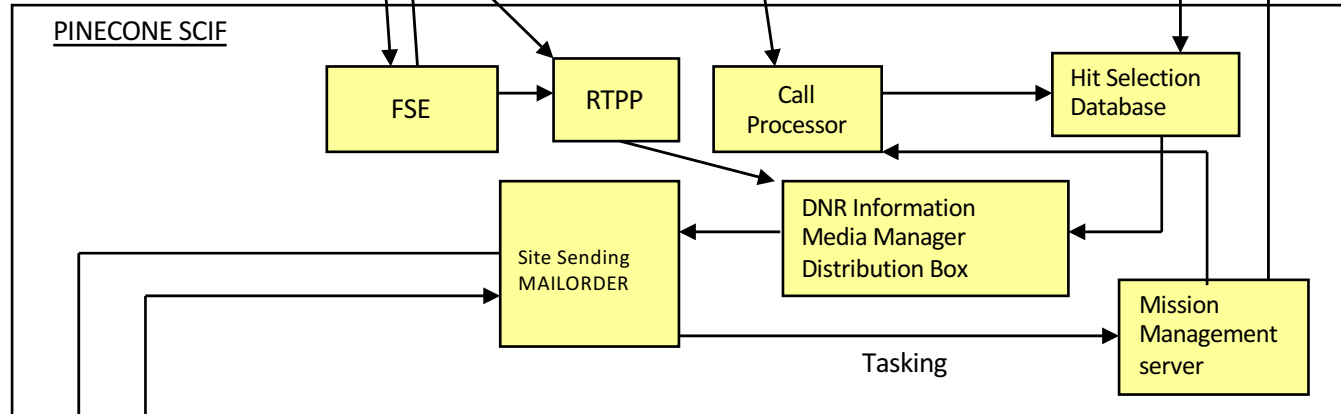
Data Type: DNR (USSID 126, CSDF)

Authority: FAA

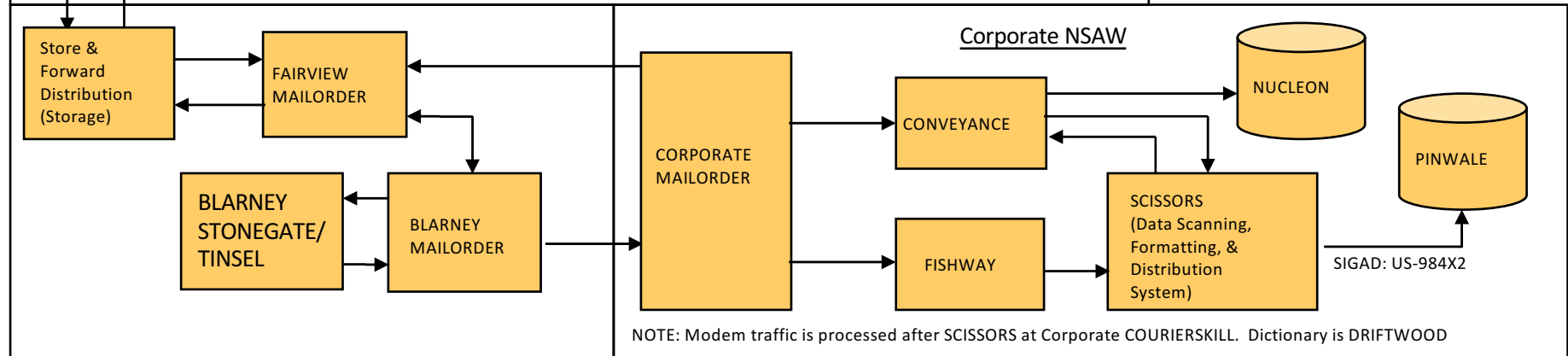
Source System Digraph: RR, UA

Partner Controlled  
 NSA Controlled

Site Processing



Corporate Processing - NSAW



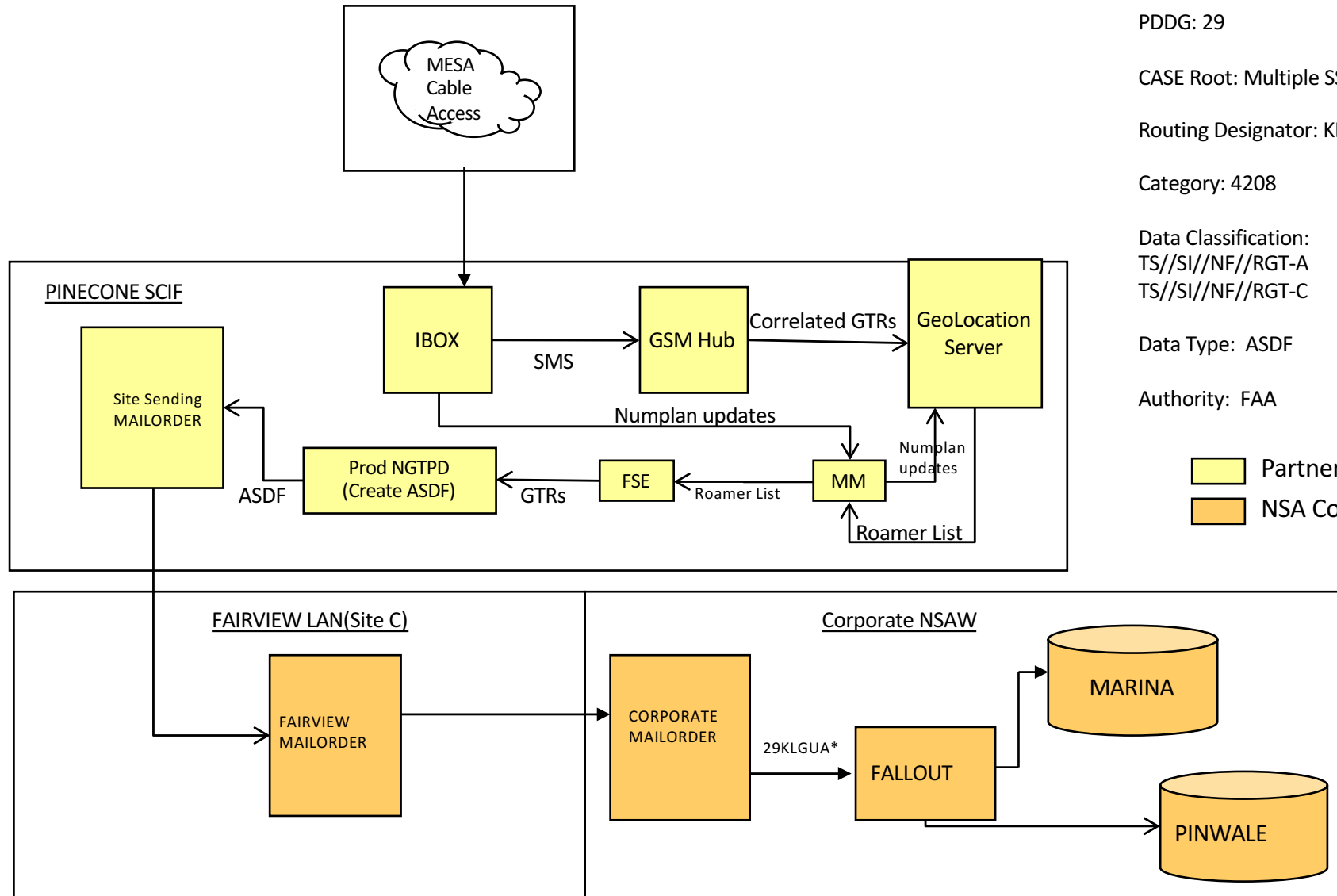
SIGAD: US-984X2

FAA SMS

Access-Partner Processing

Site Processing

Corporate Processing - NSA



SIGAD: US-984X2

PDDG: 29

CASE Root: Multiple SSO CASNs

Routing Designator: KLG

Category: 4208

Data Classification:  
TS//SI//NF//RGT-A  
TS//SI//NF//RGT-C

Data Type: ASDF

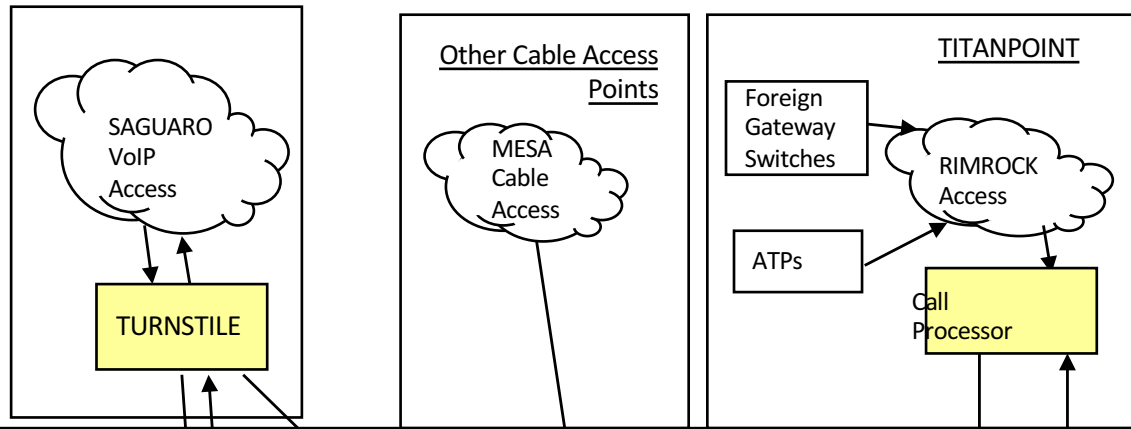
Authority: FAA

Partner Controlled  
 NSA Controlled

\*\*\* Currently Inactive\*\*\*

### FBI FISA Voice/Fax/Modem DNR&VoIP

Access-Partner Processing



SIGAD: US-984J2

PDDG: AX

CASE Root: SSO CASNs, XM\*

To BL Routing Designator: LLV, LLU, LLF, LLD

To Customer Routing Designator: BAW(Voice),LST (Fax), VQS(Modem), BAE (Failed Modem or Fax to Josy)

Data Classification: TS//SI//NF//RAG-F

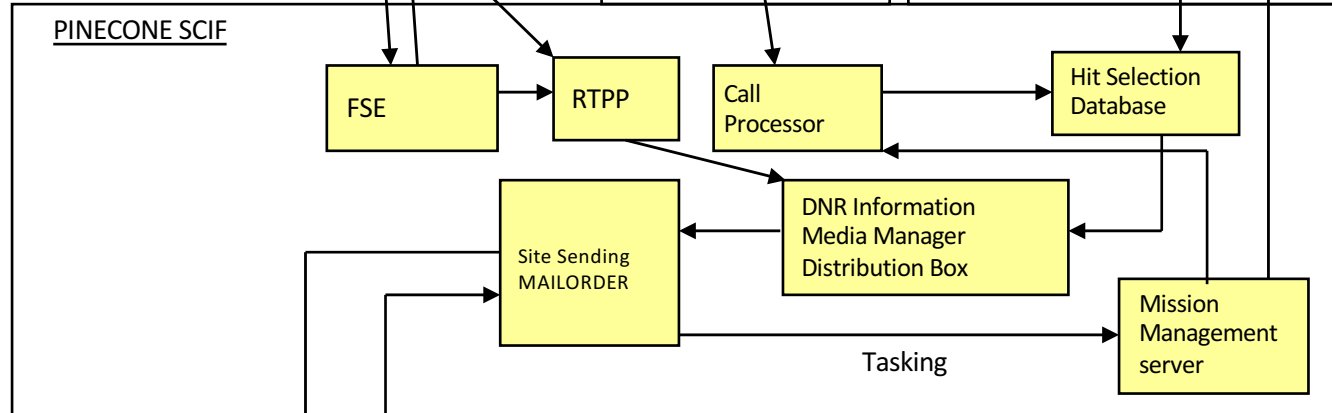
Data Type: DNR (USSID 126, CSDF)

Authority: FBI FISA

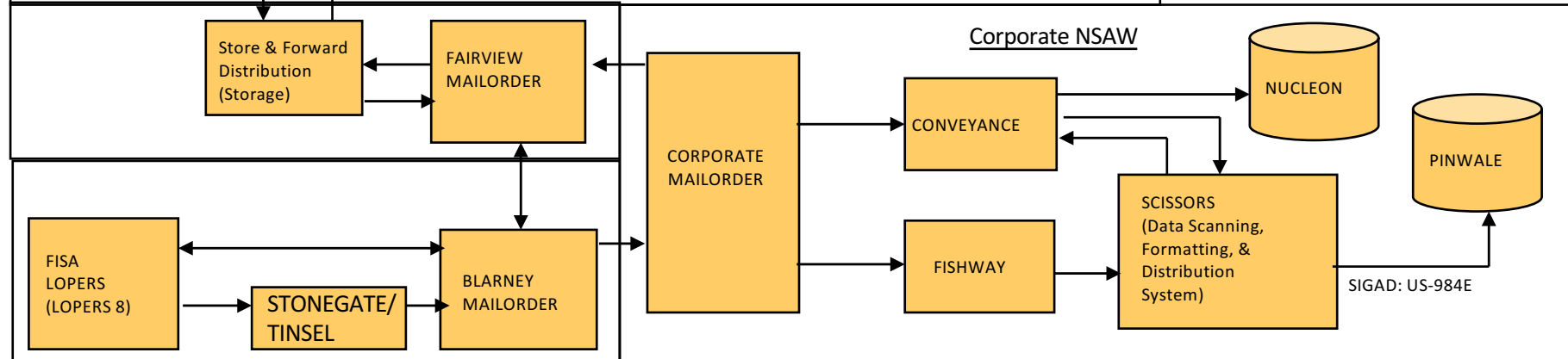
Source System Digraph: RR, UA

Partner Controlled  
 NSA Controlled

Site Processing

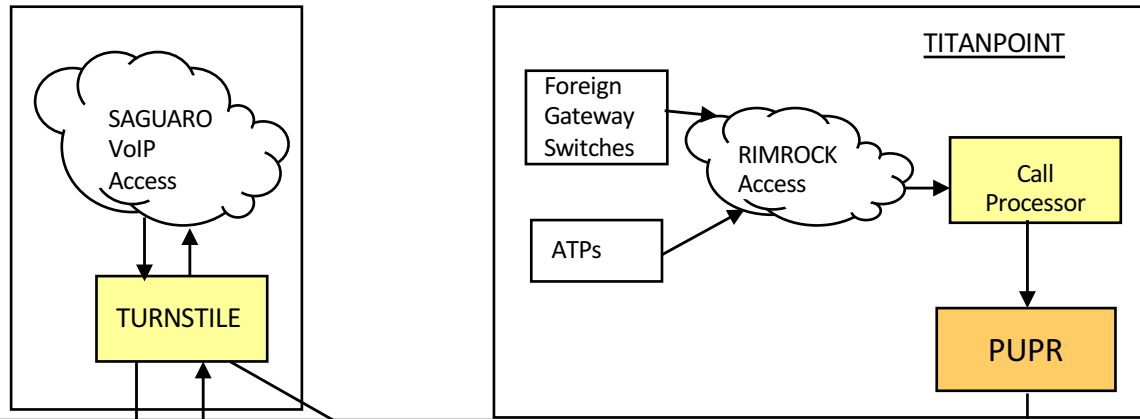


Corporate Processing - NSAW



NSA FISA Voice/Fax/Modem DNR&VoIP

Access-Partner Processing



SIGAD: US-984E

PDDG: AX

CASE Root: SSO CASNs, XM\* (change to BLARNEY CASN because of TDM conversion until LOPERS upgrade for file-based TND lookup)

To Customer Routing Designator: BAW, BAY(Voice), LST (Fax), VQF (Modem), BAE (Failed Modem or Fax to Josy)

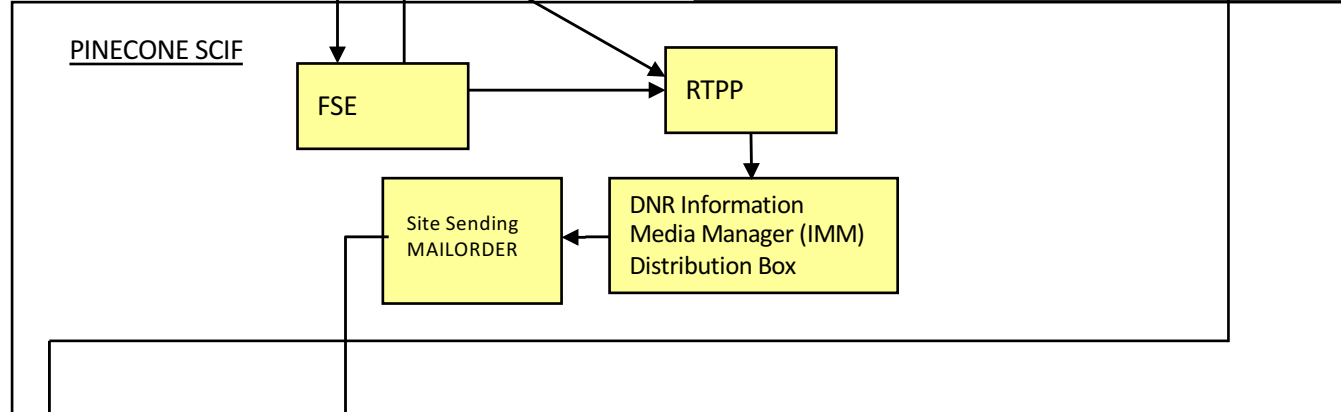
Data Classification: TS//SI//NF//RAGTIME

Data Type: VoIP DNR

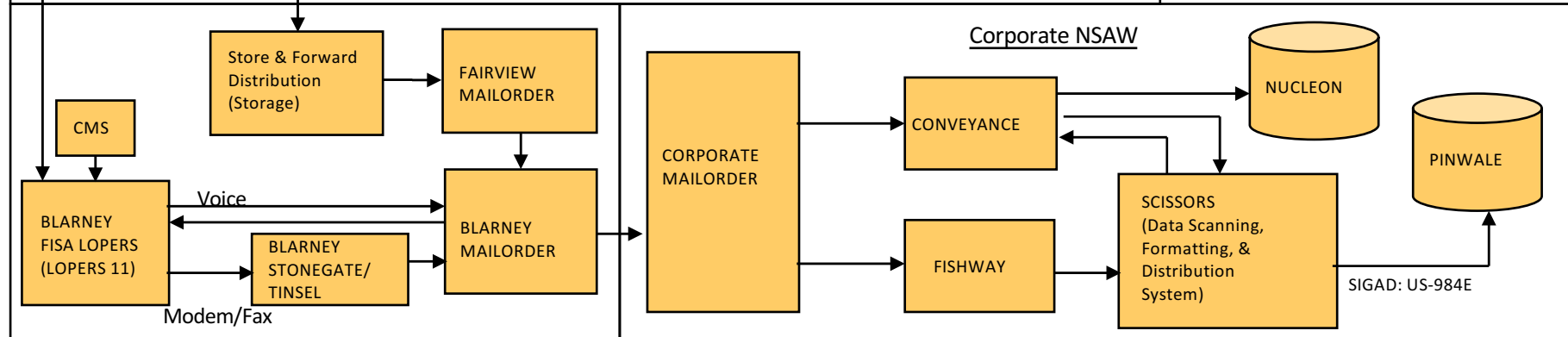
Authority: NSA FISA

Partner Controlled  
 NSA Controlled

Site Processing

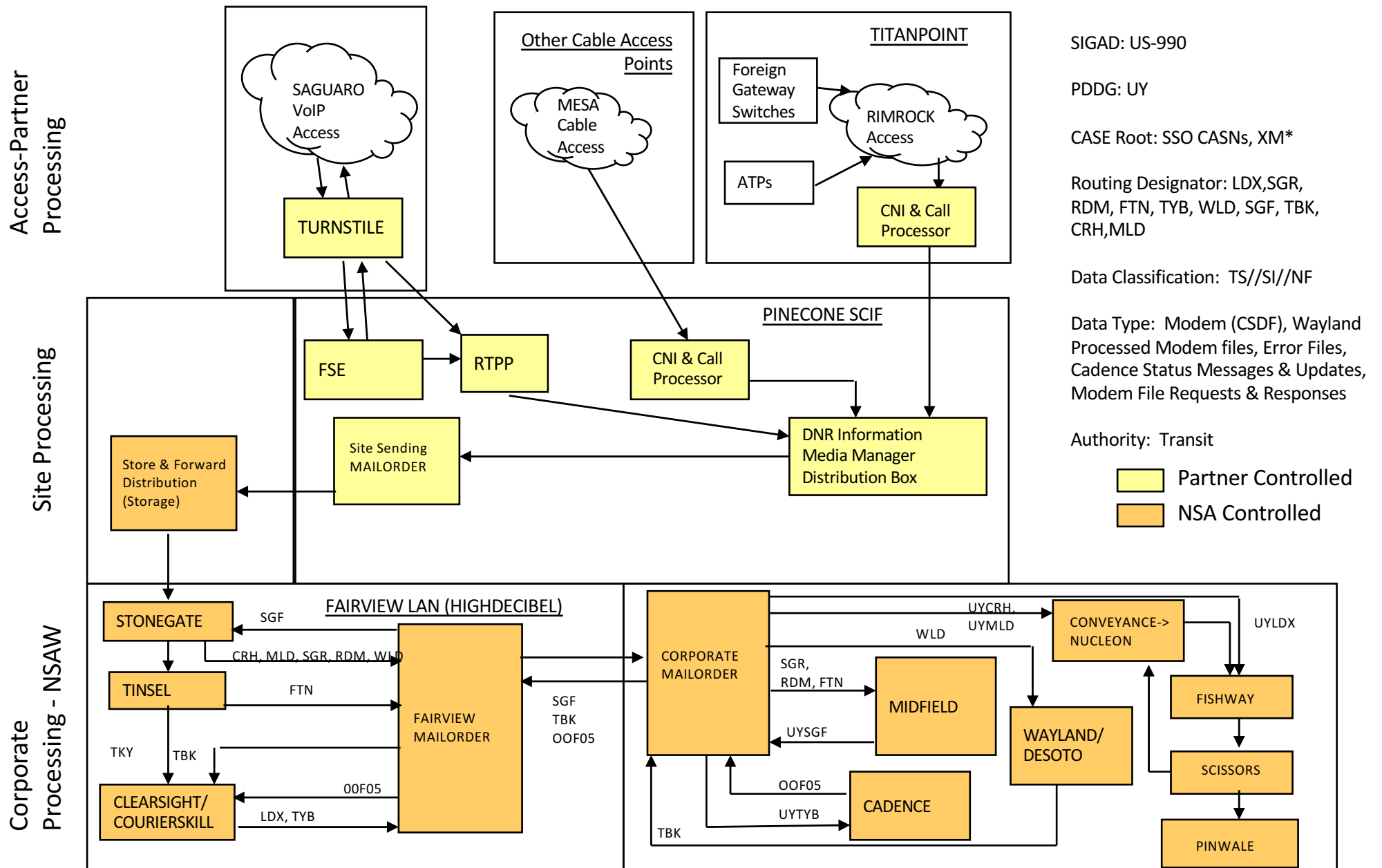


Corporate Processing - NSAW

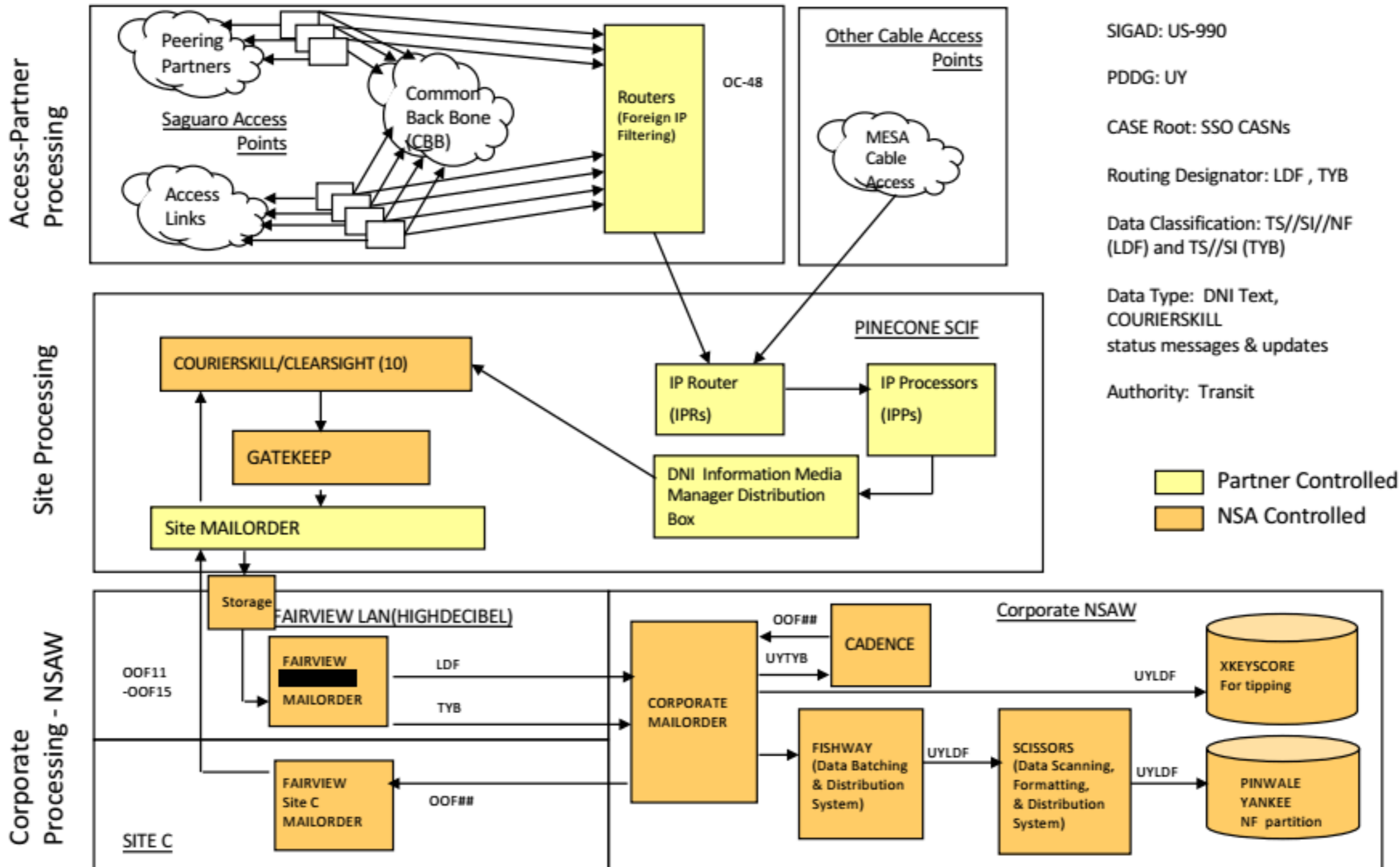


SIGAD: US-984E

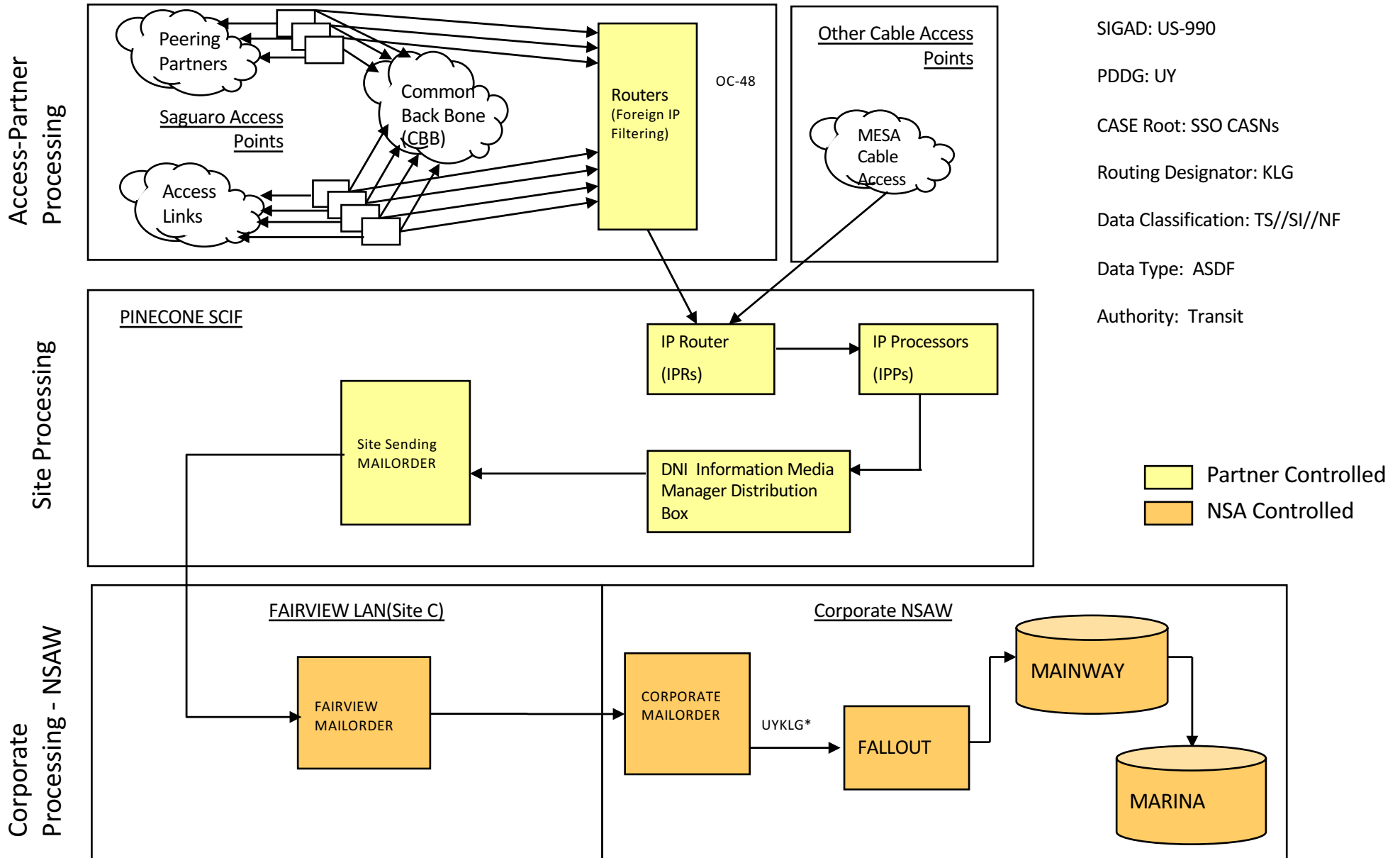
Transit Voice/Fax/Modem DNR&VoIP – FAA 704/705b



Transit DNI Content (BUGCATCHER)

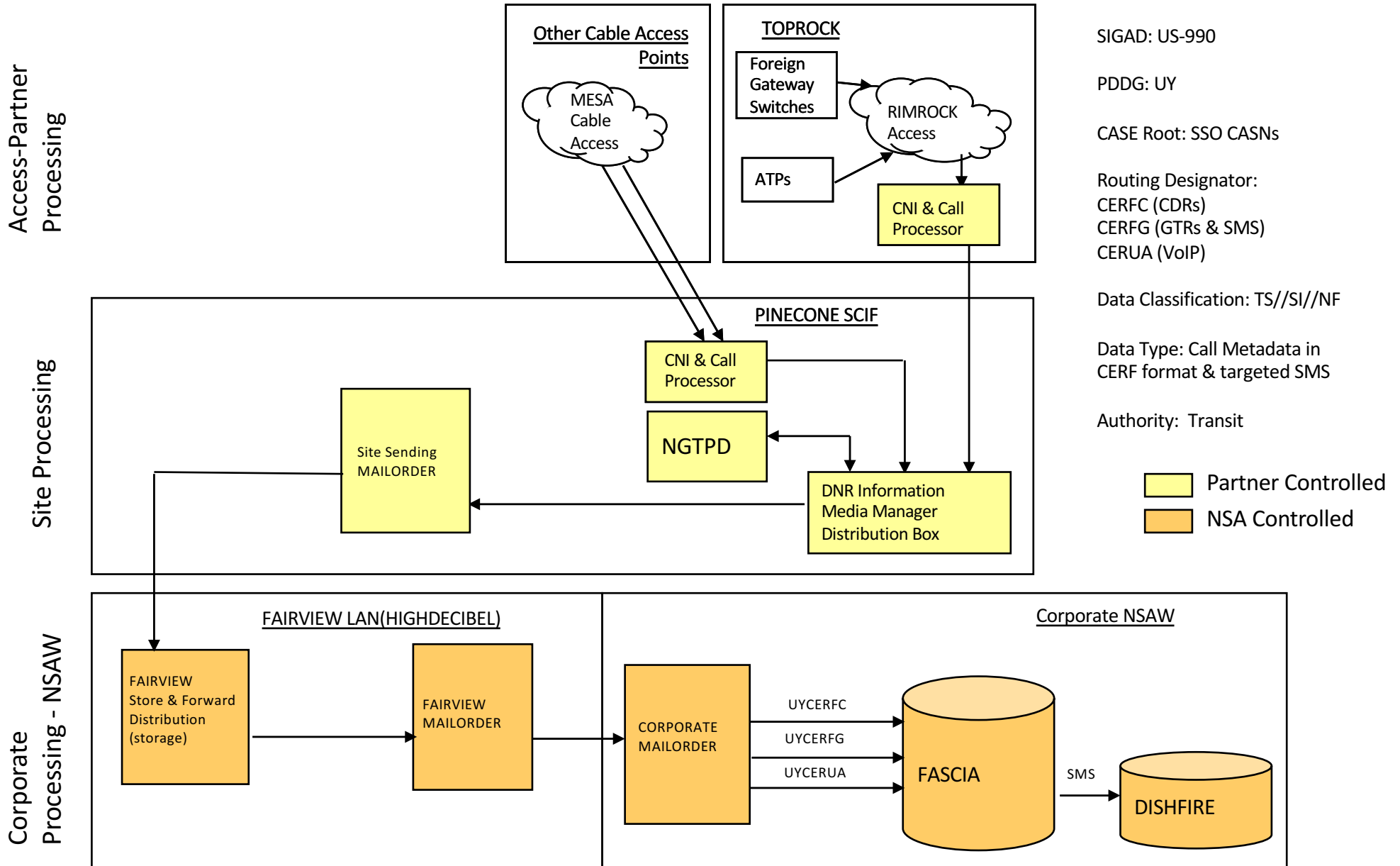


### Transit DNI Metadata (IMDRs)

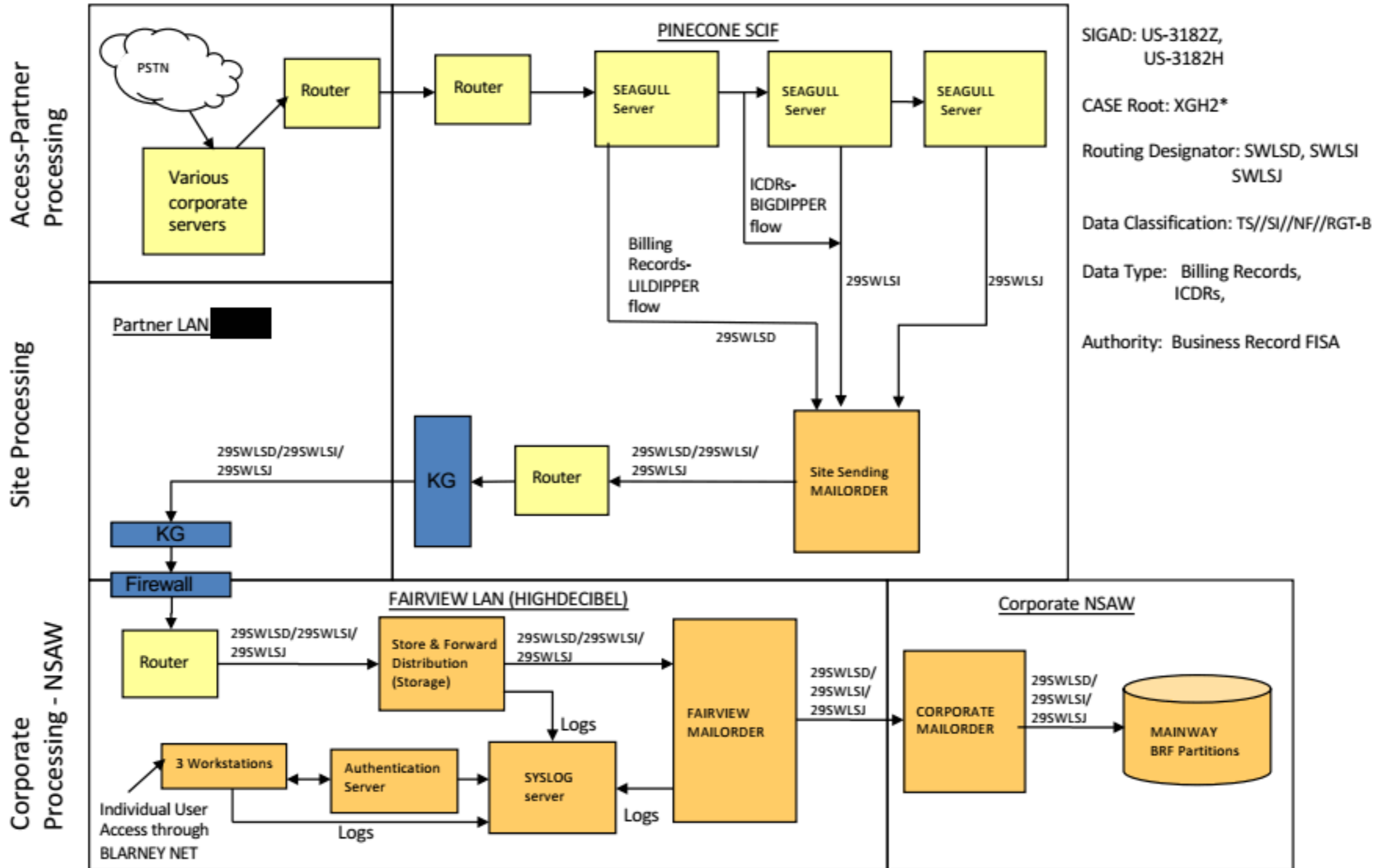




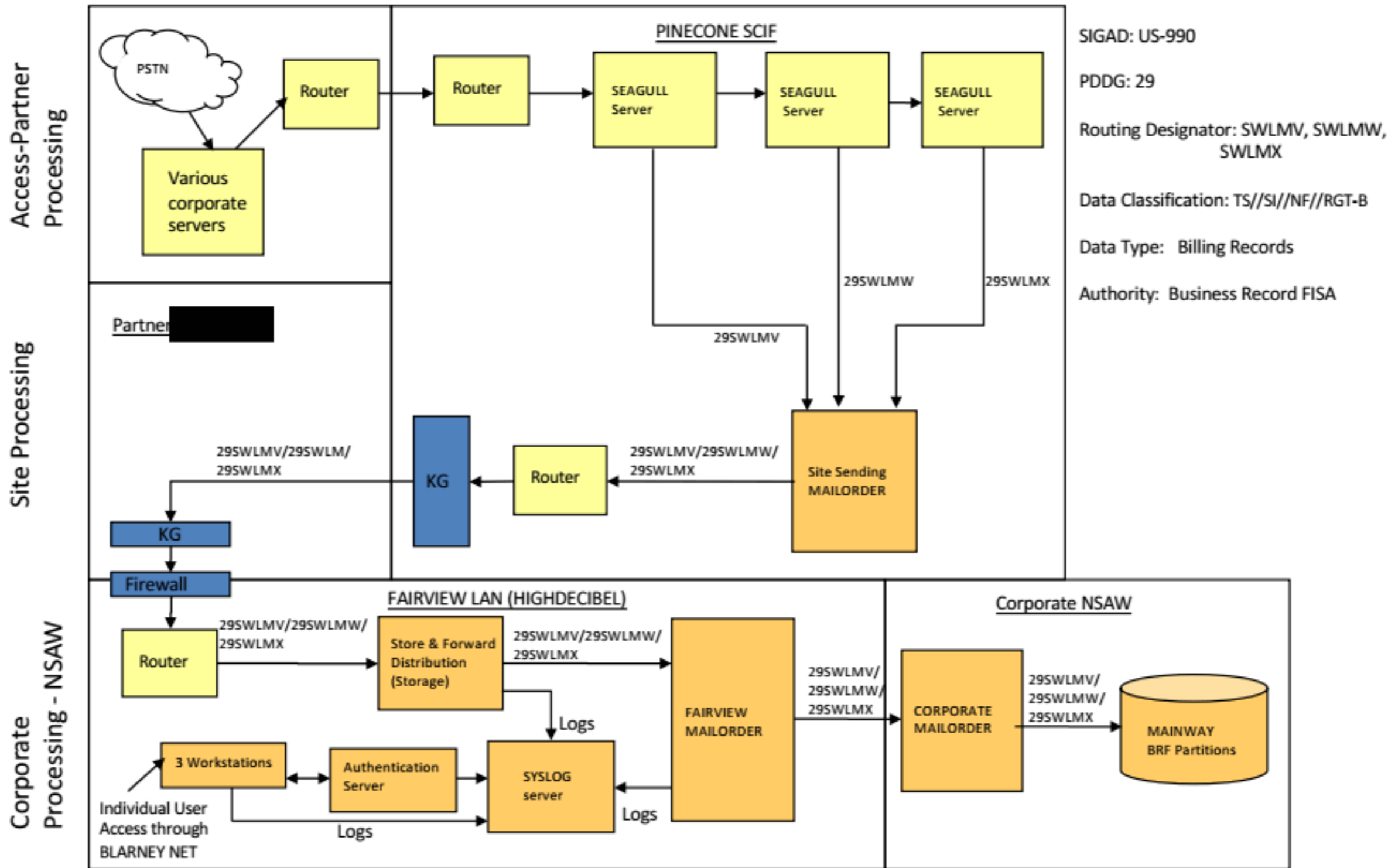
### Transit DNR Metadata & SMS



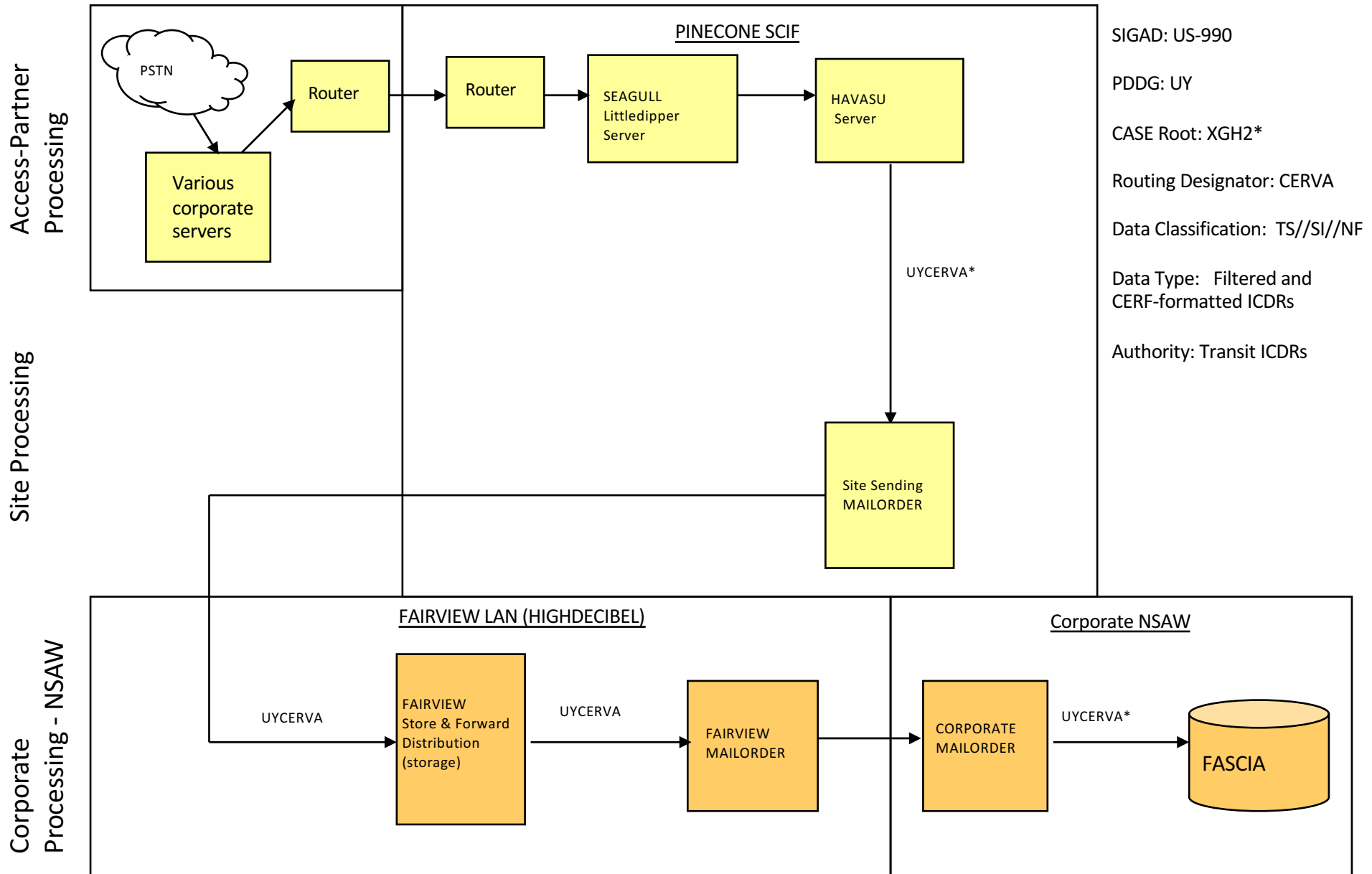
Business Record FISA -SEAGULL Metadata Flow Sourced From Billing Records & ICDRs



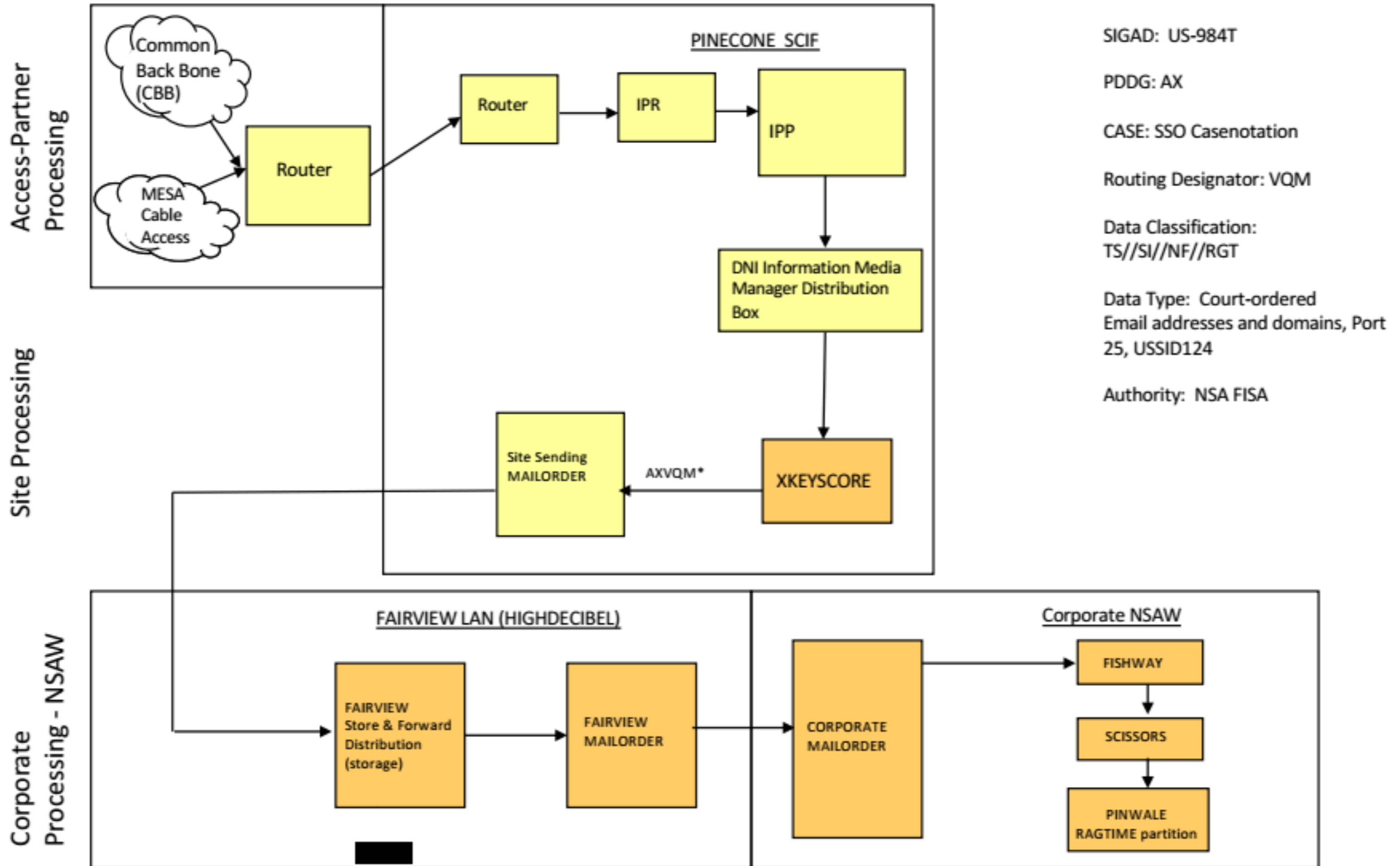
MOBILE-SEAGULL Metadata Flow Sourced From Billing Records



ICDR Metadata flow (aka HAVASU)



FAIRVIEW NSA FISA Email



SIGAD: US-984T

PDDG: AX

CASE: SSO Casenotation

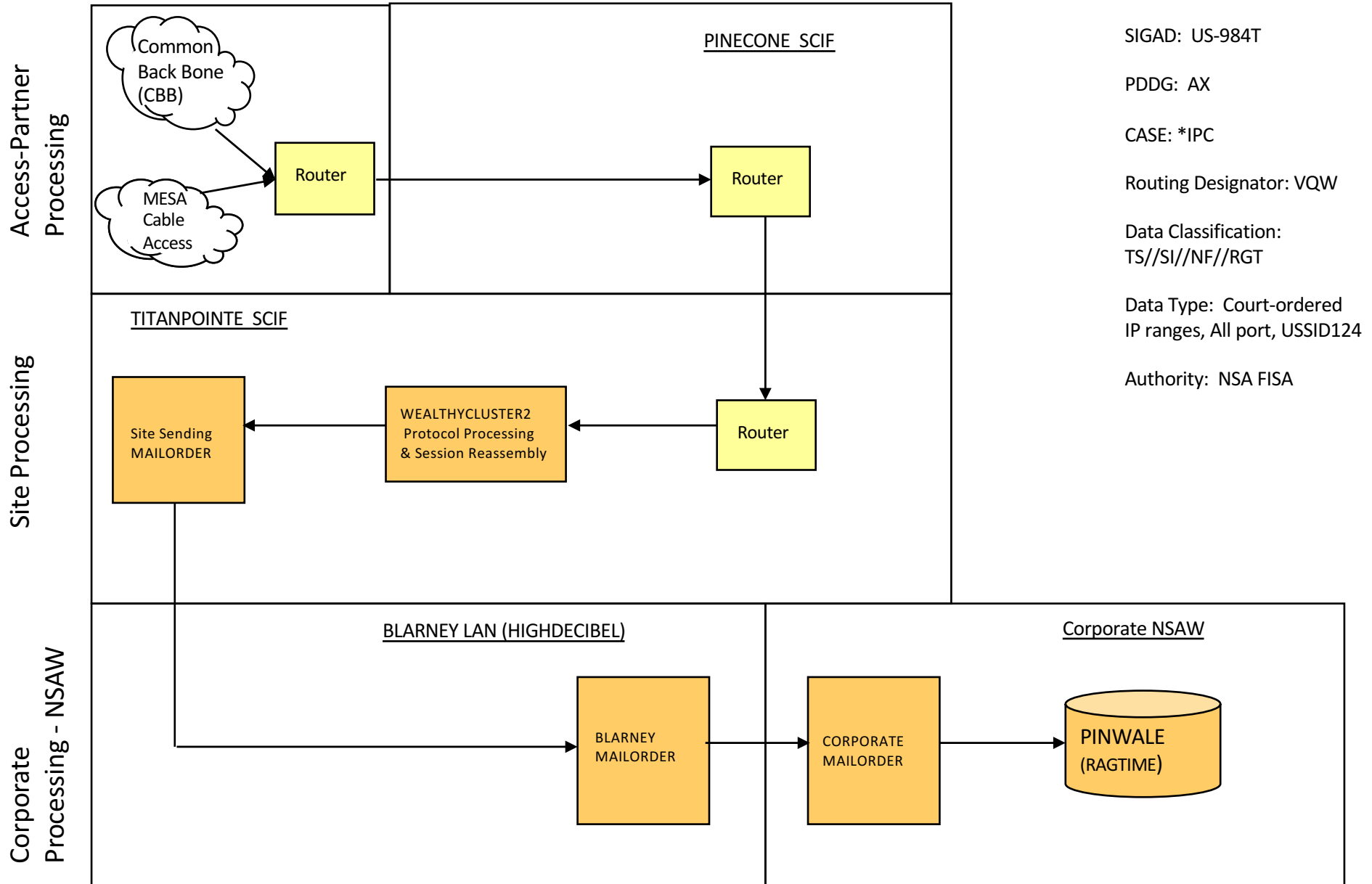
Routing Designator: VQM

Data Classification:  
TS//SI//NF//RGT

Data Type: Court-ordered  
Email addresses and domains, Port  
25, USSID124

Authority: NSA FISA

FAIRVIEW NSA FISA IP



SIGAD: US-984T

PDDG: AX

CASE: \*IPC

Routing Designator: VQW

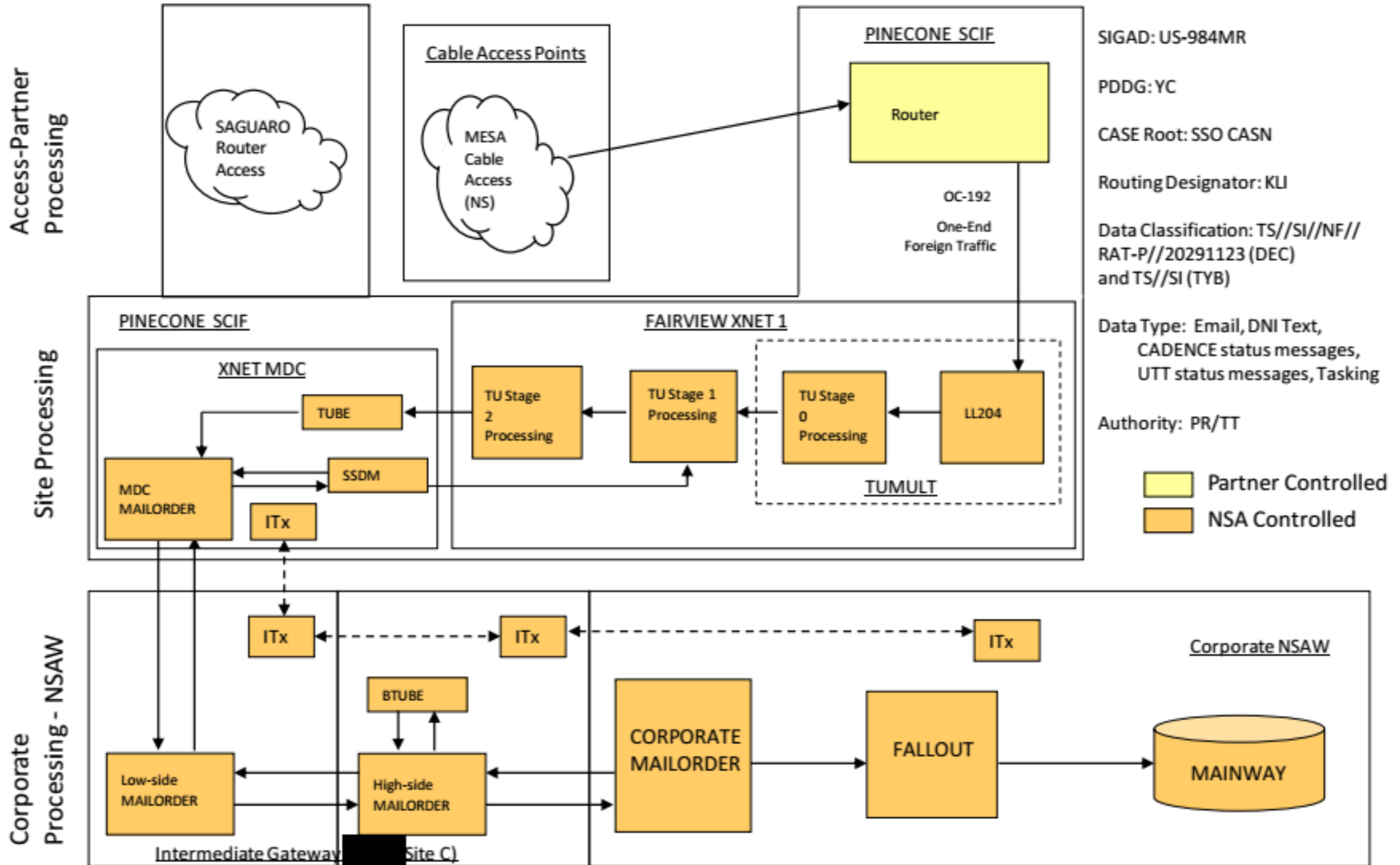
Data Classification:  
TS//SI//NF//RGT

Data Type: Court-ordered  
IP ranges, All port, USSID124

Authority: NSA FISA

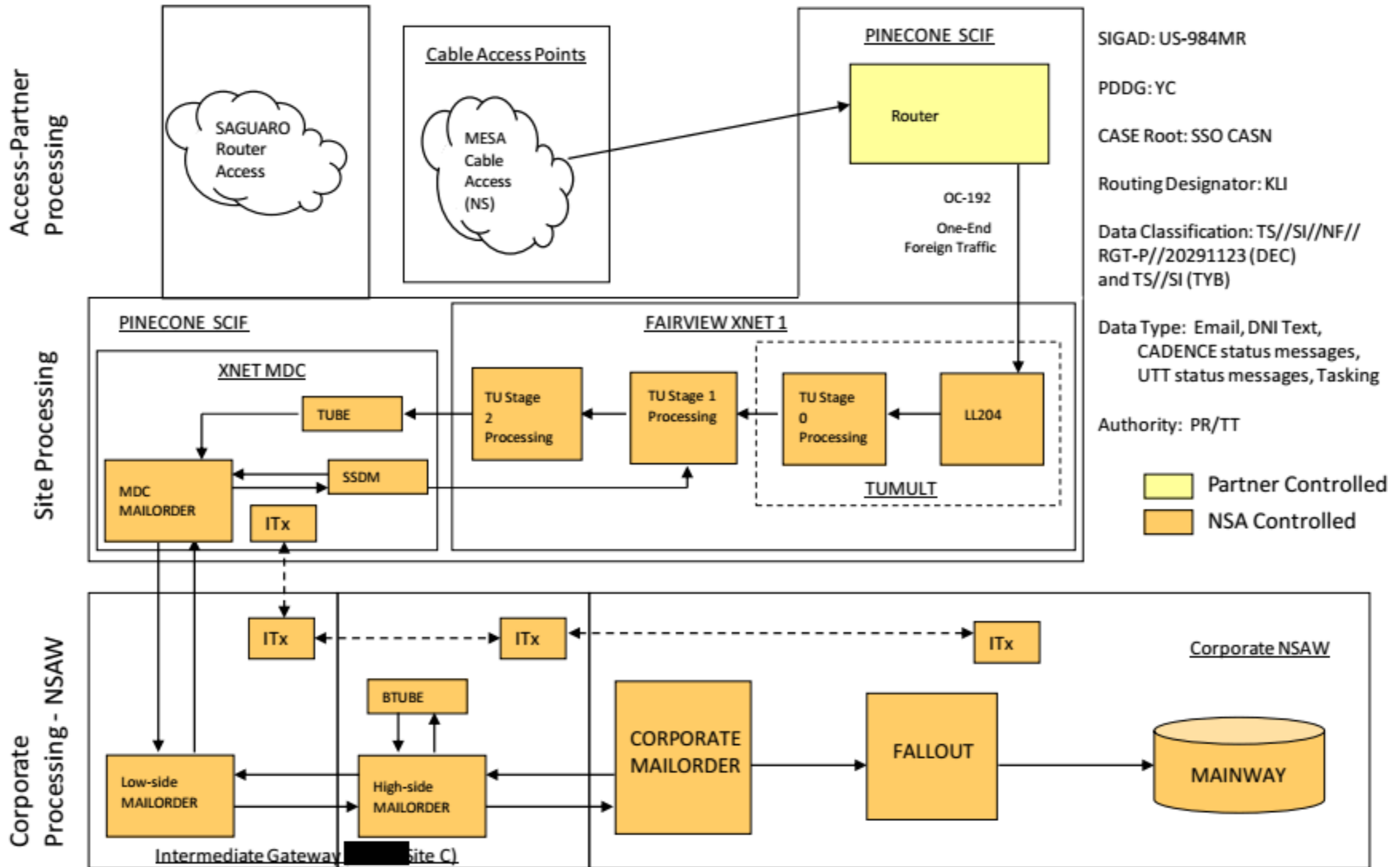
\*\*\* Currently Inactive \*\*\*

PR/TT XNET 1 DNI Metadata



\*\*\* Currently Inactive \*\*\*

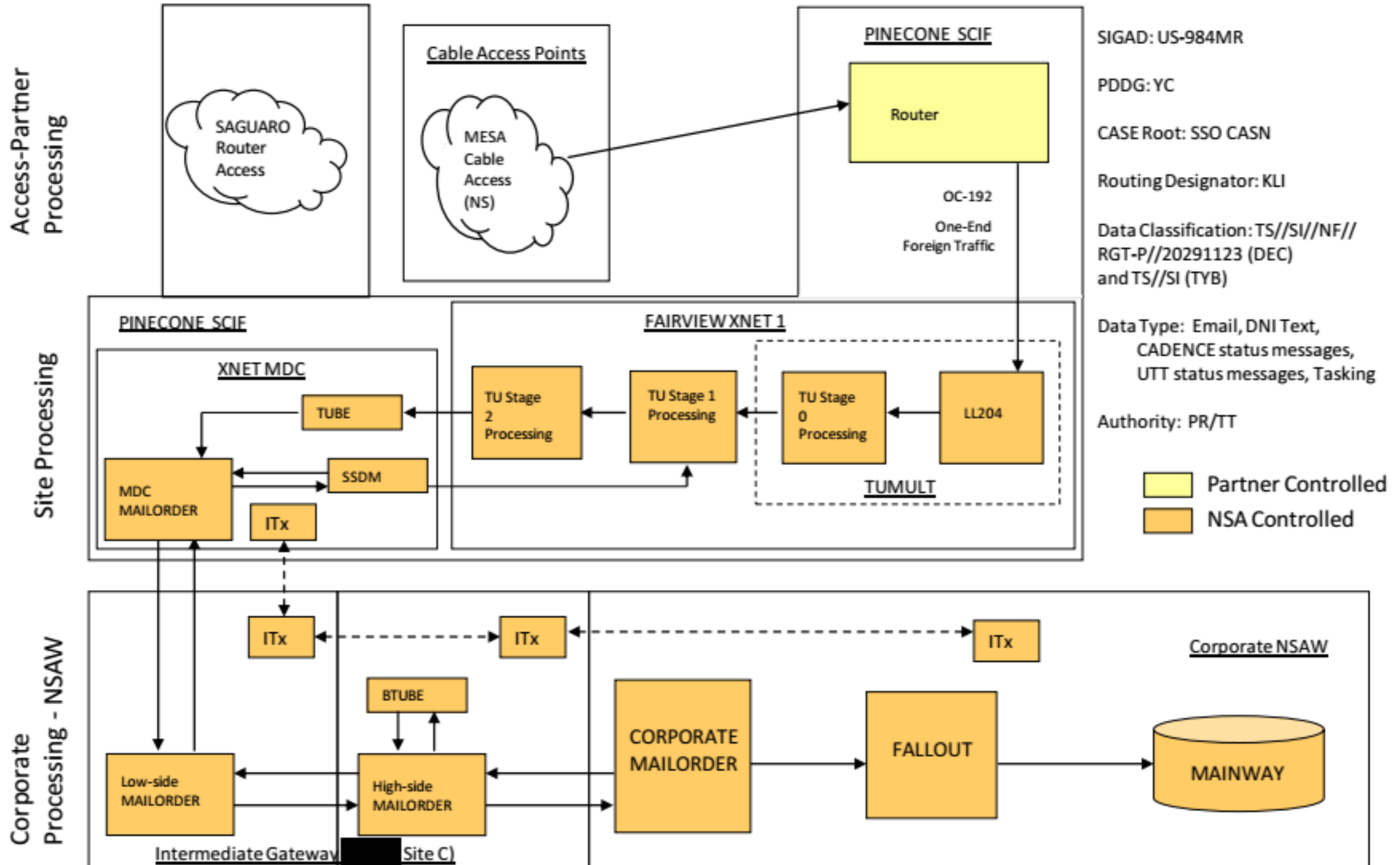
PR/TT XNET 2 DNI Metadata





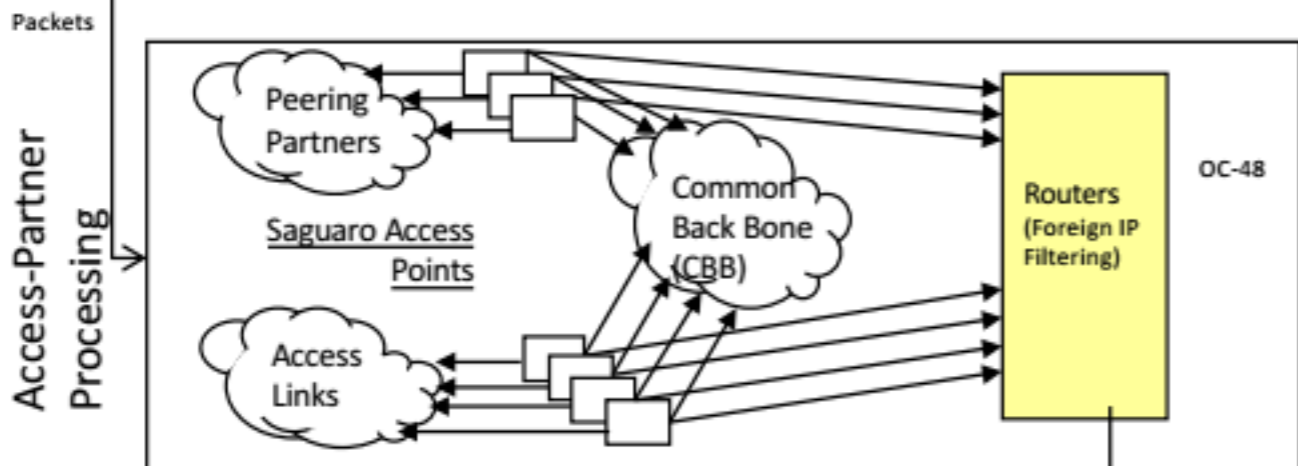
\*\*\* Currently Inactive \*\*\*

PR/TT XNET 3 DNI Metadata



TAO Implant

Shaping



SIGAD: US-3105S1

PDDG: DU

CASE Root: Can be multiple, Currently just YM.\*

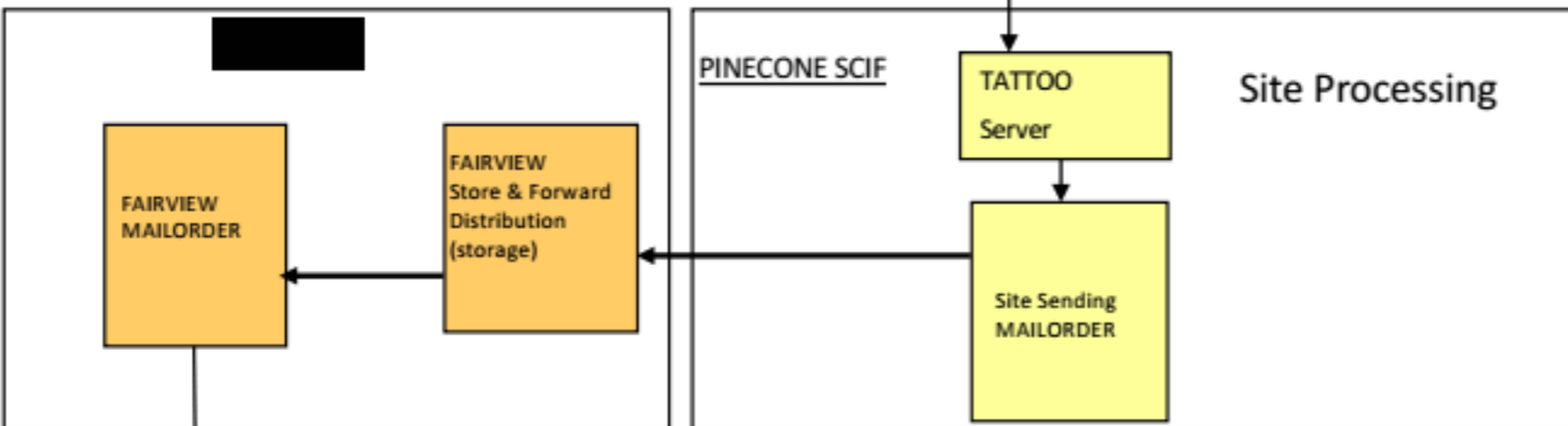
Routing Designator: FV\*, Right now just FVT for DARKTHUNDER

Data Classification: TS//SI//REL

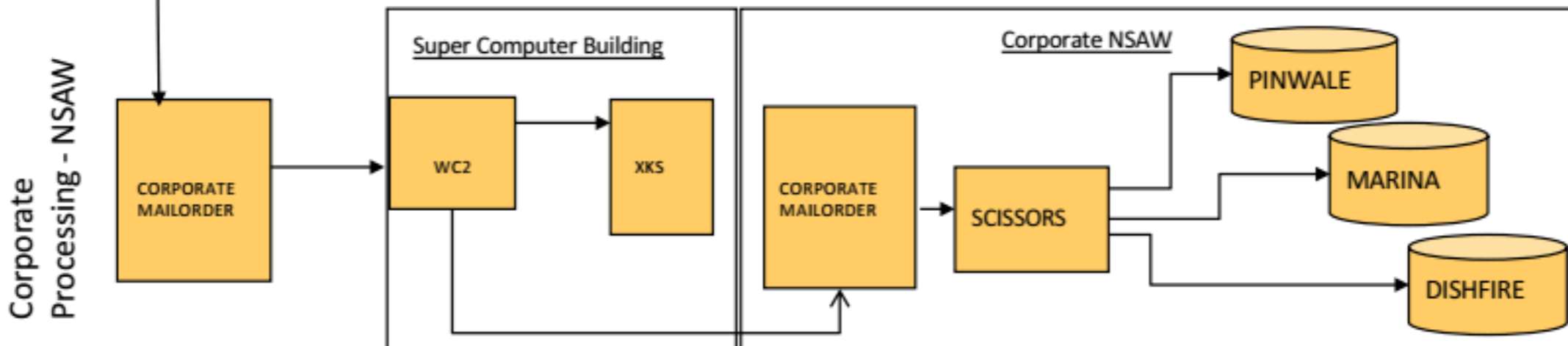
Data Type: PCAP

Authority: E.O.12333

Partner Controlled  
 NSA Controlled



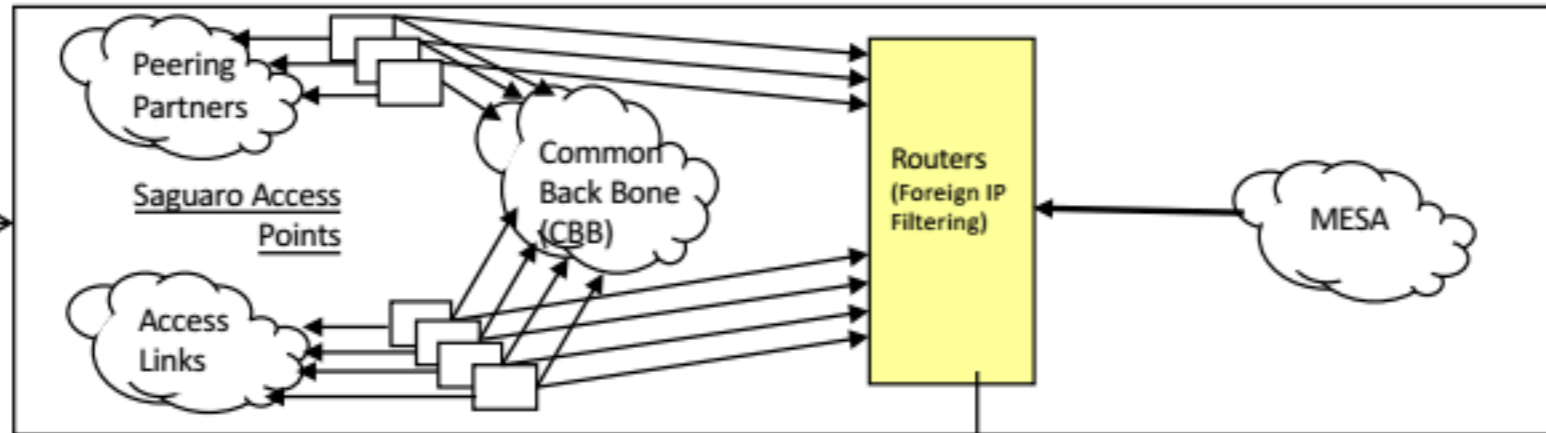
FAIRVIEW LAN(HIGHDECIBEL)



Shaping to vPCS

TAO Implant

Packets  
Access-Partner  
Processing



SIGAD: US-3105S1

PDDG: DU

CASE Root: Can be multiple, Currently just VE.\*

STF trigraph for STEELFLAUTA  
CMO trigraph for TURMOIL  
Monitoring. I30 implant data flow metrics.

Data Classification: TS//SI//REL

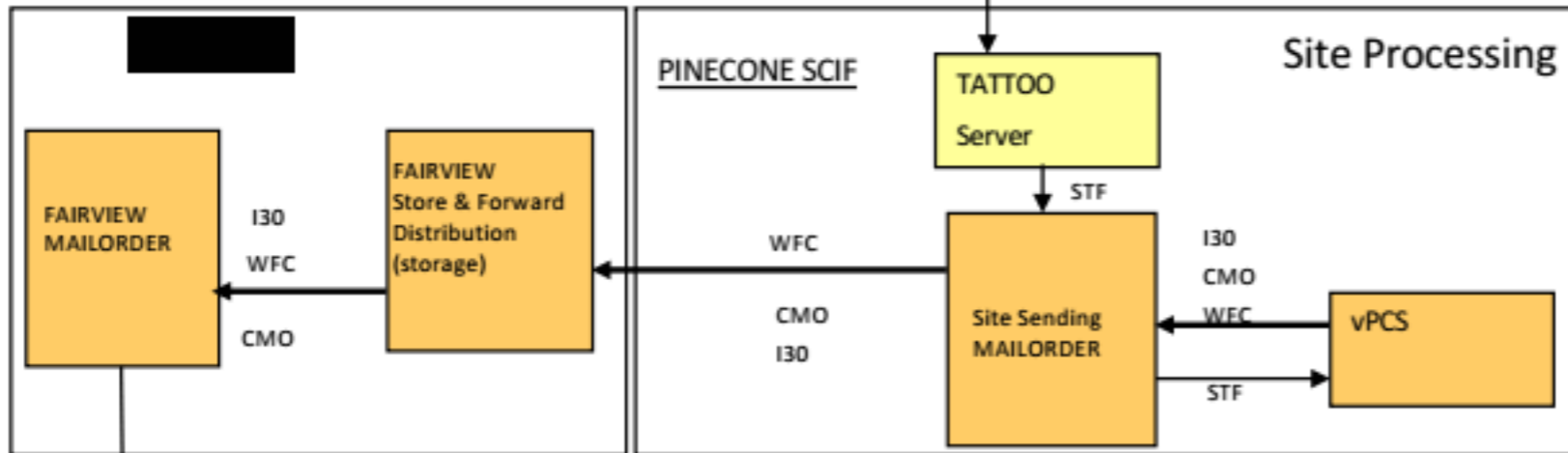
Data Type: PCAP input to vPCS

Authority: E.O.12333

Partner Controlled  
 NSA Controlled

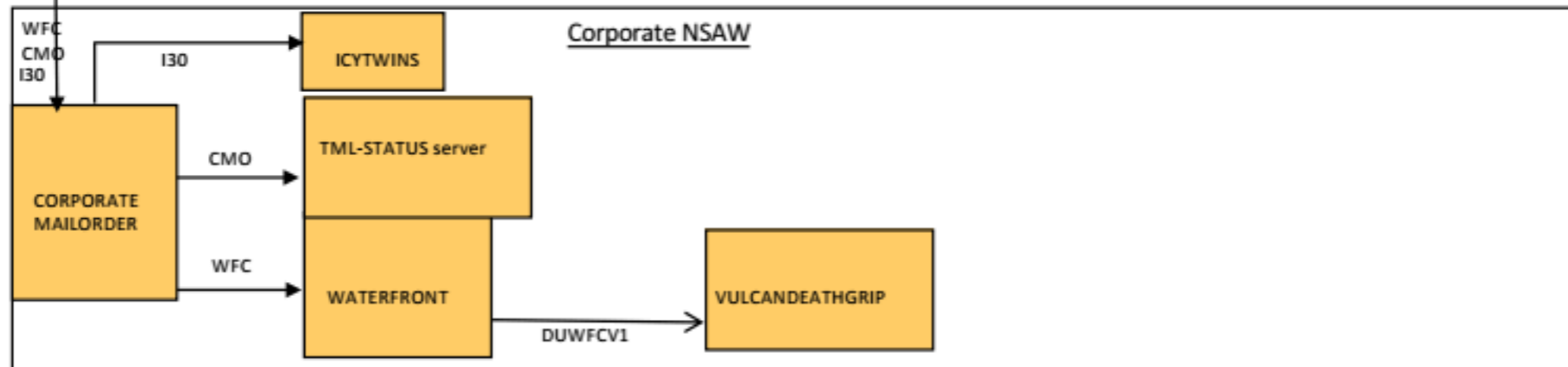
PCAP

Site Processing



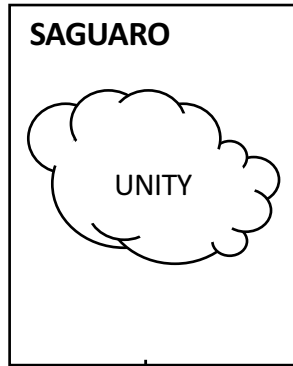
Corporate  
Processing - NSAW

Corporate NSAW



# UNITY FAA (Voice/Fax/Modem) DNR&VoIP

Access-Partner Processing



SIGAD: US-984X2

PDDG: 29

CASE Root: **TBD**

To BL Routing Designator: FLV, FLU, FLF, FLD

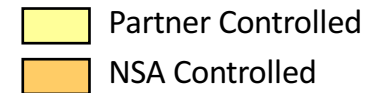
Source System Digraph: L1, L2

To Customer Routing Designator:  
BAV(Voice),LST (Fax), VFG (Modem), BAE (Failed Modem or Fax to Josy)

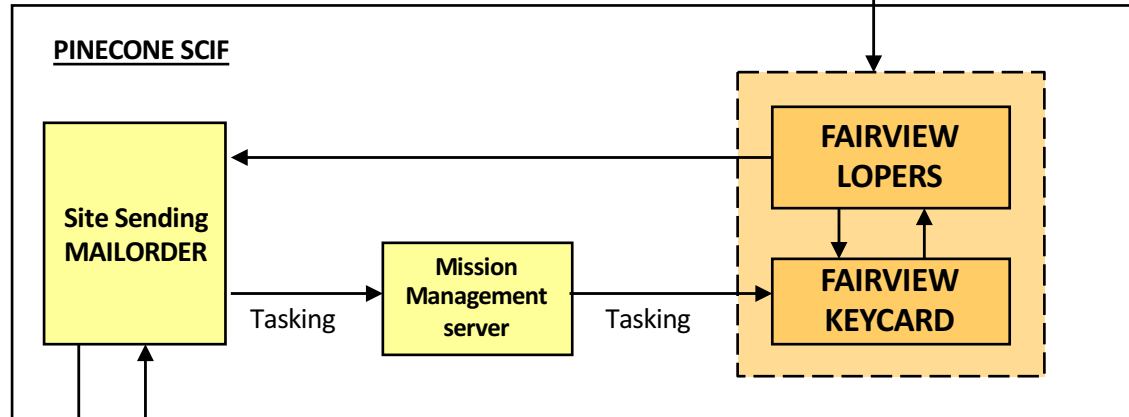
Data Classification: TS//SI//NF//RGT-A

Data Type: DNR (USSID 126, CSDF)

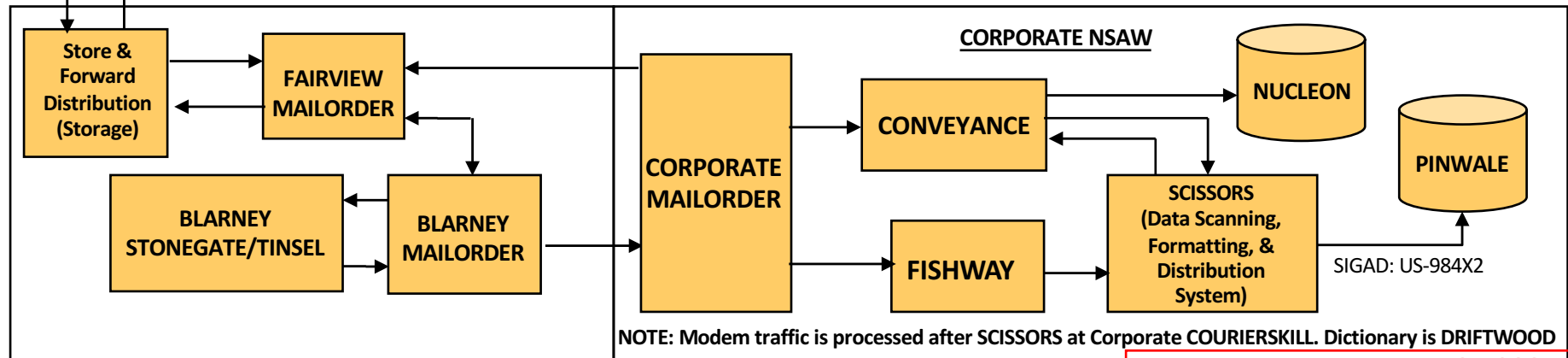
Authority: FAA



Site Processing



Corporate Processing - NSAW



Derived From: NSA/CSSM 1-52

Dated: 20070108

Declassify On: 20361101